

ASPEN Full Plate:9 Drain Cover

Load Class up to C250



ASPEN Stainless hardworking stainless steel products for hardwearing environments: British engineered and sealed with a lifetime guarantee.

Product Description

The standard Full Plate Drain Cover (9 Support) is manufactured in 996mm standard lengths or suitable for the drainage system design. Size B would be altered to fit the length of the Channel and mitred to compensate angled corners in the system.

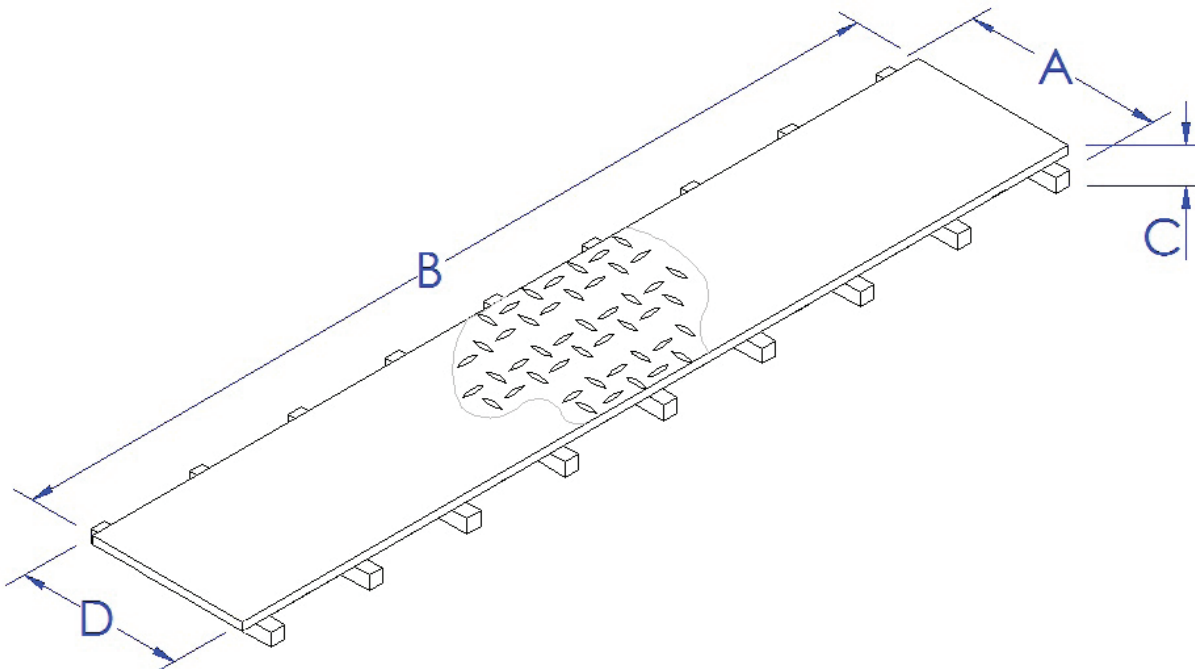
Suitable for hygienic environments accessed by medium load size factory traffic.

The Cover is available in two standard sizes and two finishes.

Technical Specification

- > Smooth Full Plate Cover.
- > Top: 10mm stainless steel (2B finish).
- > Supports: 16mm x 16mm stainless steel bar.
- > 25mm depth to fit either Drain Channel.
- > For primary drainage systems.
- > Stitch welded.
- > Grade 304 stainless steel (British Standard 304S31, Euronorm 1.4301).
- > Low Slip Potential according to UKSRG in dry & wet conditions.

MODEL	REF	COVER DIMENSIONS				LOAD CLASS
		A	B	C	D	
SMOOTH PLATE 100:9	CC100PL9	146	996	25	116	
DURBAR PLATE 100:9	CC100PL9D	146	996	25	116	
SMOOTH PLATE 170:9	CC170PL9	216	996	25	170	
DURBAR PLATE 170:9	CC170PL9D	216	996	25	170	



The blue measurements indicate the variable dimensions shown in the chart above. All dimensions in mm.

ASPEN Full Plate 9 Drain Cover

Load Class up to C250



ASPEN Stainless hardworking stainless steel products for hardwearing environments: British engineered and sealed with a lifetime guarantee.

ASPEN Drainage System

As the UK based designer and supplier of all ASPEN Stainless, John Lord is able to offer a full range of products to complete your drainage system and can customize any of its Units or manufacture complete bespoke drainage systems.

Key Benefits

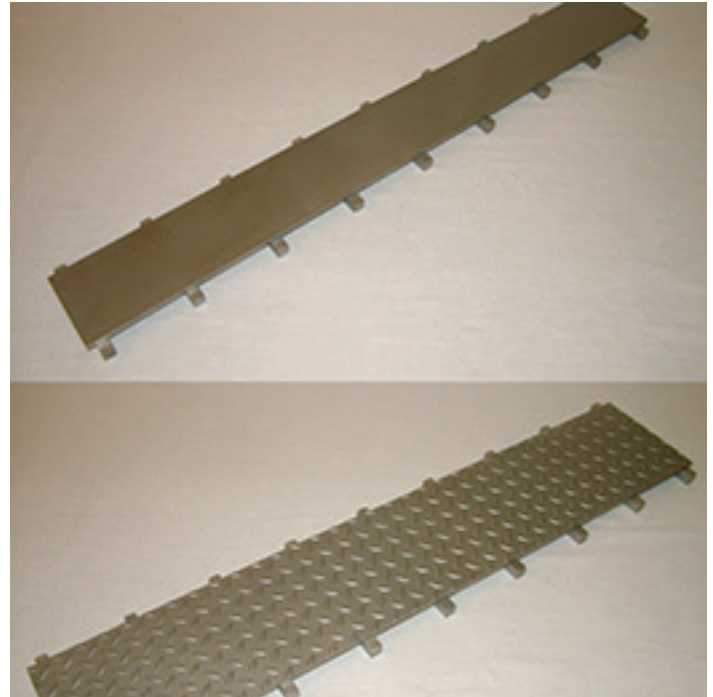
This style of drain cover provides maximum liquid drainage to the channel and provides a robust surface to withstand factory traffic loads. The durbar option provides an improved anti slip surface.

Maintenance

Stainless steel equipment should be occasionally thoroughly checked for retained deposits and concentrated fluid build up that causes corrosion.

Cleaning

Many factors affect the choice of cleaning method and frequency of its application. Suitable methods for stainless steel are: water and steam; mechanical non abrasive scrubbing; organic solvents and mild detergents.



Smooth & Durbar Drain Cover Samples

ASPEN Drainage Installation

John Lord offer supply only or full installation, with fully welded and polished joints, and commissioning. John Lord also offer on-going annual inspection and maintenance contracts.

For advice regarding the most suitable ASPEN Stainless for you please contact our technical sales team today to discuss your requirements.

ASPEN Slip Resistance

Classification of slip potential surfaces in wet and dry conditions are according to 'The Assessment of Floor Slip Resistance: The UK Slip Resistance Group (UKSRG) Guidelines issues 4 / 2011'. Results were obtained from tests carried out by the Health and Safety Laboratory (HSL) and from our own internal laboratory tests. All figures are measured and expressed under laboratory conditions: Actual performance may vary from the above values depending upon site conditions.

Contact the Technical Sales team for the actual slip resistant values or more information about the UKSRG.

ASPEN Drainage Options

- > Available in grade 316 stainless steel (British Standard 316S31, Euronorm 1.4401).
- > Cover can be bolted to the Channel to prevent distortion during overloading situations.
- > Anti slip Durbar Cover.