

ASPEN Box & Ladder Drain Cover

Load Class up to D400



ASPEN Stainless hardworking stainless steel products for hardwearing environments: British engineered and sealed with a lifetime guarantee.

Product Description

The standard Box and Ladder Drain Cover is manufactured in 996mm standard lengths or suitable for the drainage system design. Size B would be altered to fit the length of the Channel and mitred to compensate angled corners in the system. Designed for heavy duty drainage channels.

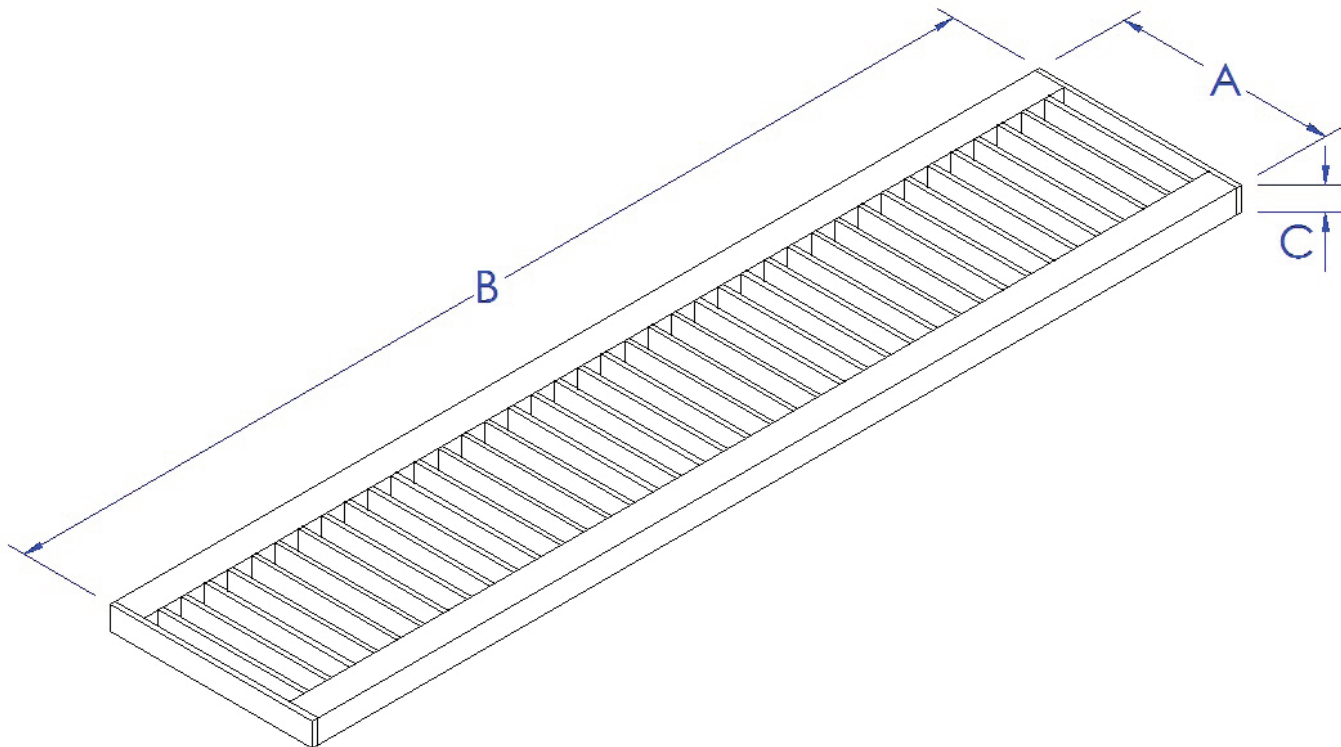
Suitable for hygienic environments accessed by all types of factory traffic.

The Cover is available in three standard sizes.

Technical Specification

- > 30mm box section.
- > 6mm stainless steel plate.
- > Provides maximum drainage.
- > 30mm depth to fit either Drainage Channel.
- > Stitch welded.
- > Grade 304 stainless steel (British Standard 304S31, Euronorm 1.4301).
- > Low Slip Potential according to UKSRG in dry & wet conditions.

MODEL	REF	COVER DIMENSIONS			LOAD CLASS
		A	B	C	
BOX & LADDER 100	CC100BL	146	996	30	
BOX & LADDER 170	CC170BL	216	996	30	
BOX & LADDER 300	CC300BL	346	996	30	



The blue measurements indicate the variable dimensions shown in the chart above. All dimensions in mm.

ASPEN Box & Ladder Drain Cover

Load Class up to D400



ASPEN Stainless hardworking stainless steel products for hardwearing environments: British engineered and sealed with a lifetime guarantee.

ASPEN Drainage System

As the UK based designer and supplier of all ASPEN Stainless, John Lord is able to offer a full range of products to complete your drainage system and can customize any of its Units or manufacture complete bespoke drainage systems.

Key Benefits

This style of drain cover provides maximum liquid drainage to the channel for all types of factory traffic on a daily basis.

Maintenance

Stainless steel equipment should be occasionally thoroughly checked for retained deposits and concentrated fluid build up that causes corrosion.

Cleaning

Many factors affect the choice of cleaning method and frequency of its application. Suitable methods for stainless steel are: water and steam; mechanical non abrasive scrubbing; organic solvents and mild detergents.



Box & Ladder Drain Cover Sample

ASPEN Drainage Installation

John Lord offer supply only or full installation, with fully welded and polished joints, and commissioning. John Lord also offer on-going annual inspection and maintenance contracts.

For advice regarding the most suitable ASPEN Stainless for you please contact our technical sales team today to discuss your requirements.

ASPEN Slip Resistance

Classification of slip potential surfaces in wet and dry conditions are according to 'The Assessment of Floor Slip Resistance: The UK Slip Resistance Group (UKSRG) Guidelines issues 4 / 2011'. Results were obtained from tests carried out by the Health and Safety Laboratory (HSL) and from our own internal laboratory tests. All figures are measured and expressed under laboratory conditions: Actual performance may vary from the above values depending upon site conditions. Contact the Technical Sales team for the actual slip resistant values or more information about the UKSRG.

ASPEN Drainage Options

- > Available in grade 316 stainless steel (British Standard 316S31, Euronorm 1.4401).
- > Cover can be bolted to the Channel to prevent distortion during overloading situations.