

ASPEN 3:9 Bar Drain Cover

Load Class up to FACTA C250



ASPEN Stainless hardworking stainless steel products for hard wearing environments: British engineered with a lifetime guarantee.

Product Description

Manufactured from stainless steel and incorporating seamless joints, Aspen 3:9 covers are suitable for applications where hygiene is a priority.

Suitable for medium load factory traffic. For more demanding environments, refer to our 3:17 covers.

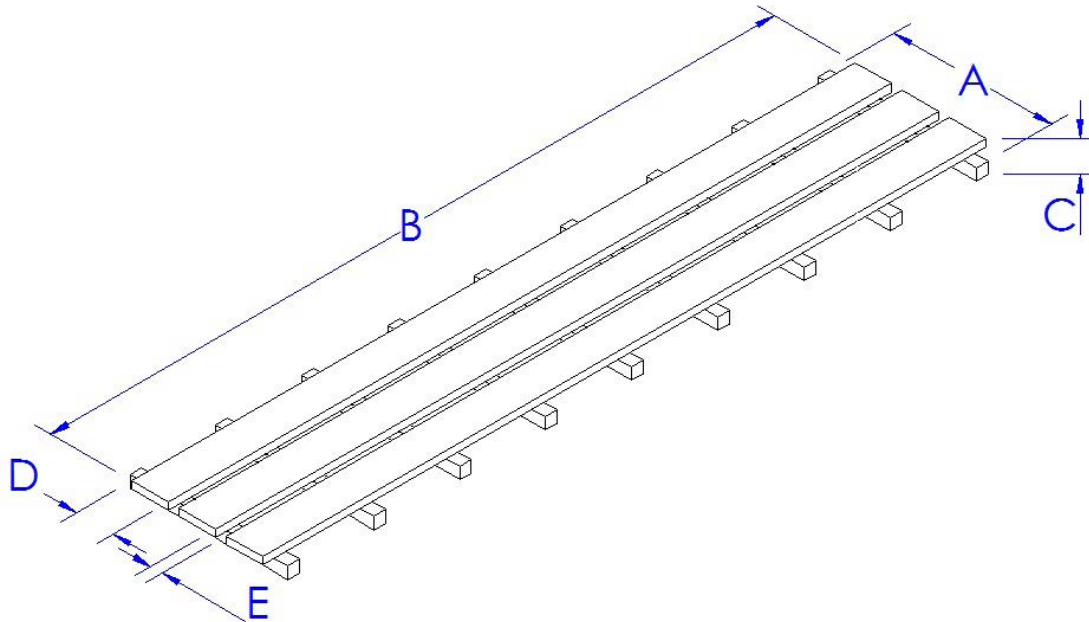
The standard 3 Bar Drain Cover (9 Support) is manufactured in 996mm standard lengths, however alternative lengths can be specified to suit your drainage system design. In addition to varying cover lengths, (Dim B) covers can be mitered to compensate angled corners in the system.

The Cover is available in two finishes: Smooth (blasted) and Durbar (blasted)

Technical Specification

- > Hygienic, seamless joints, designed in accordance with best practice design principles of EHEDG
- > Top: 10mm x 50mm stainless steel.
- > Supports: 16mm x 16mm stainless steel bar.
- > 25mm depth to fit either Drain Channel.
- > Used in conjunction with the 170mm base ASPEN Drain Channel.
- > Grade 304 stainless steel (British Standard 304S31, Euronorm 1.4301).
- > Low Slip Potential according to UKSRG in dry & wet conditions.

MODEL	REF	COVER DIMENSIONS					FACTA LOAD CLASS
		A	B	C	D	E	
SMOOTH 3:9 BAR	CC1709	216	996	25	50	15	
DURBAR 3:9 BAR	CC1709DUR	216	996	25	50	15	



The blue measurements indicate the variable dimensions shown in the chart above. All dimensions in mm.

ASPEN 3:9 Bar Drain Cover

Load Class up FACTA C250



ASPEN Stainless hardworking stainless steel products for hard wearing environments: British engineered with a lifetime guarantee.

ASPEN Drainage System

As a UK based designer and manufacturer, ASPEN Stainless is able to offer a full range of products to complete your drainage system including entirely bespoke drainage systems.

Key Benefits

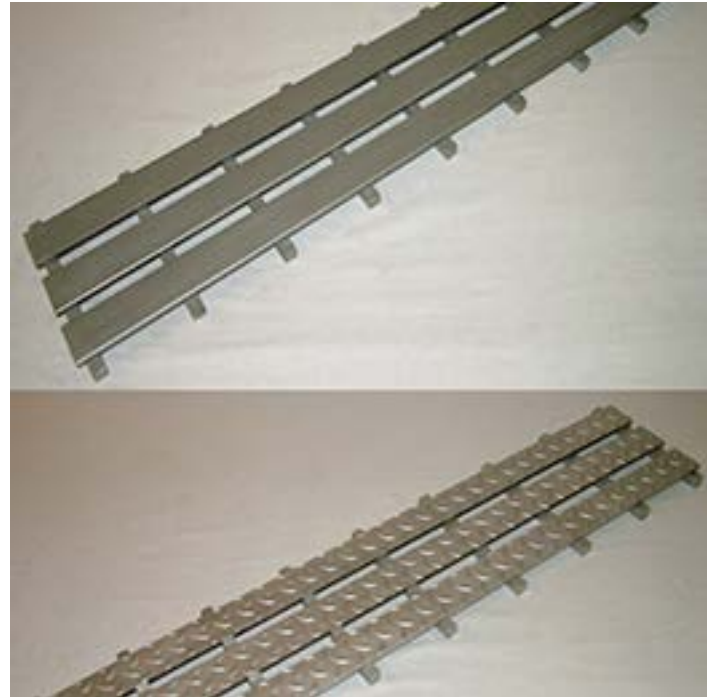
This style of drain cover provides maximum liquid drainage to the channel and provides a robust surface to withstand factory traffic loads. The durbar option provides an improved anti slip surface.

Maintenance

Stainless steel equipment should be occasionally thoroughly checked for retained deposits and concentrated fluid build up that causes corrosion.

Cleaning

Many factors affect the choice of cleaning method and frequency of its application. Suitable methods for stainless steel are: water and steam; mechanical non abrasive scrubbing; organic solvents and mild detergents.



Smooth & Durbar Drain Cover Samples

ASPEN Drainage Installation

ASPEN Stainless offer supply only or full installation, with fully welded and polished joints, and commissioning. ASPEN Stainless also offer on-going annual inspection and maintenance contracts.

For advice regarding the most suitable ASPEN Stainless products for you, please contact our technical sales team today to discuss your requirements.

ASPEN Slip Resistance

Classification of slip potential surfaces in wet and dry conditions are according to 'The Assessment of Floor Slip Resistance: The UK Slip Resistance Group (UKSRG) Guidelines issues 4 / 2011'. Results are obtained from tests carried out by our trained laboratory technicians in the internal laboraboraty. All figures are measured and expressed under laboratory conditions: Actual performance may vary from the above values depending upon site conditions. Contact the Technical Sales team for the actual slip resistant values or more information about the UKSRG.

ASPEN Drainage Options

- > Available in grade 316 stainless steel (British Standard 316S31, Euronorm 1.4401).
- > Available as a locking cover.
- > Cover can be bolted to the Channel to prevent distortion during overloading situations.
- > Anti slip Durbar Cover.