

ASPEN Stainless hardworking stainless steel products for hardwearing environments: British engineered with a lifetime guarantee.

## Product Description

The standard Bump Rail is used for added protection for Kerbing but can also be used as protection for corners and vulnerable locations in any factory to protect the building or large objects from collision damage.

Suitable for use in hygienic environments.

Available in three styles of fixing.

## Technical Specification

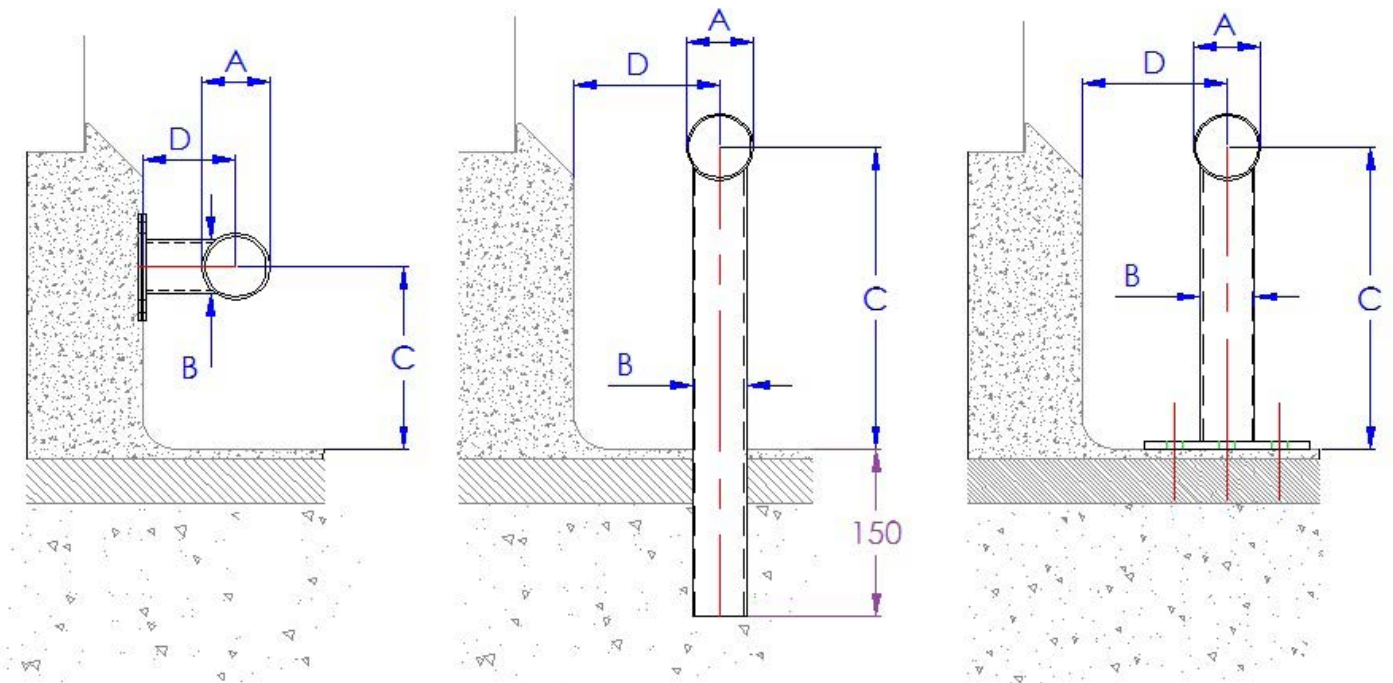
- > 48ø, 60ø, & 73ø with 3mm wall stainless steel tube.
- > 6mm stainless steel plate if plate fixed.
- > 4mm steel plate if Kerb mounted.
- > Available in grade 304 stainless steel (British Standard 304S31, Euronorm 1.4301)

MODEL	REF	PROTECTION DIMENSIONS			
		A	B	C	D
KERB MOUNTED	BUMPR1	48ø/60ø/73ø	SPECIFIED TO A	270 OR TO PREFERENCE	85 OR TO PREFERENCE
CORE DRILLED	BUMPR2	48ø/60ø/73ø	SPECIFIED TO A	270 OR TO PREFERENCE	130 OR TO PREFERENCE
PLATE FIXED	BUMPR3	48ø/60ø/73ø	SPECIFIED TO A	270 OR TO PREFERENCE	130 OR TO PREFERENCE

KERB MOUNTED

CORE DRILLED

PLATE FIXED



The blue measurements indicate the variable dimensions shown in the chart above. All dimensions in mm.

# ASPEN Bump Rail



ASPEN Stainless hardworking stainless steel products for hard wearing environments: British engineered with a lifetime guarantee.

## ASPEN Protection System

As a UK based designer and manufacturer, ASPEN Stainless is able to offer a full range of products to complete your protection system and can customize any of its Units including entirely bespoke protection systems.

### Key Benefits

Provides added protection to areas of potential impact with particular attention being given to the aesthetics and finish of the detail.

### Maintenance

Stainless steel equipment should be occasionally thoroughly checked for retained deposits and concentrated fluid build up that causes corrosion.

### Cleaning

Many factors affect the choice of cleaning method and frequency of its application. Suitable methods for stainless steel are: water and steam; mechanical non abrasive scrubbing; organic solvents and mild detergents.



Bump Rail Sample

## ASPEN Protection Installation

ASPEN Stainless offer supply only or full installation, with fully welded and polished joints, and commissioning. ASPEN Stainless also offer on-going annual inspection and maintenance contracts.

For advice regarding the most suitable ASPEN Stainless products for you, please contact our technical sales team today to discuss your requirements.

## ASPEN Protection Options

- > Available in grade 316 stainless steel (British Standard 316S31, Euronorm 1.4401).
- > Plate Fixed, Core Drilled, or Kerb Mounted.
- > Three diameter options: 48ø, 60ø, & 73ø.

# ASPEN Bump Rail

## Order Form



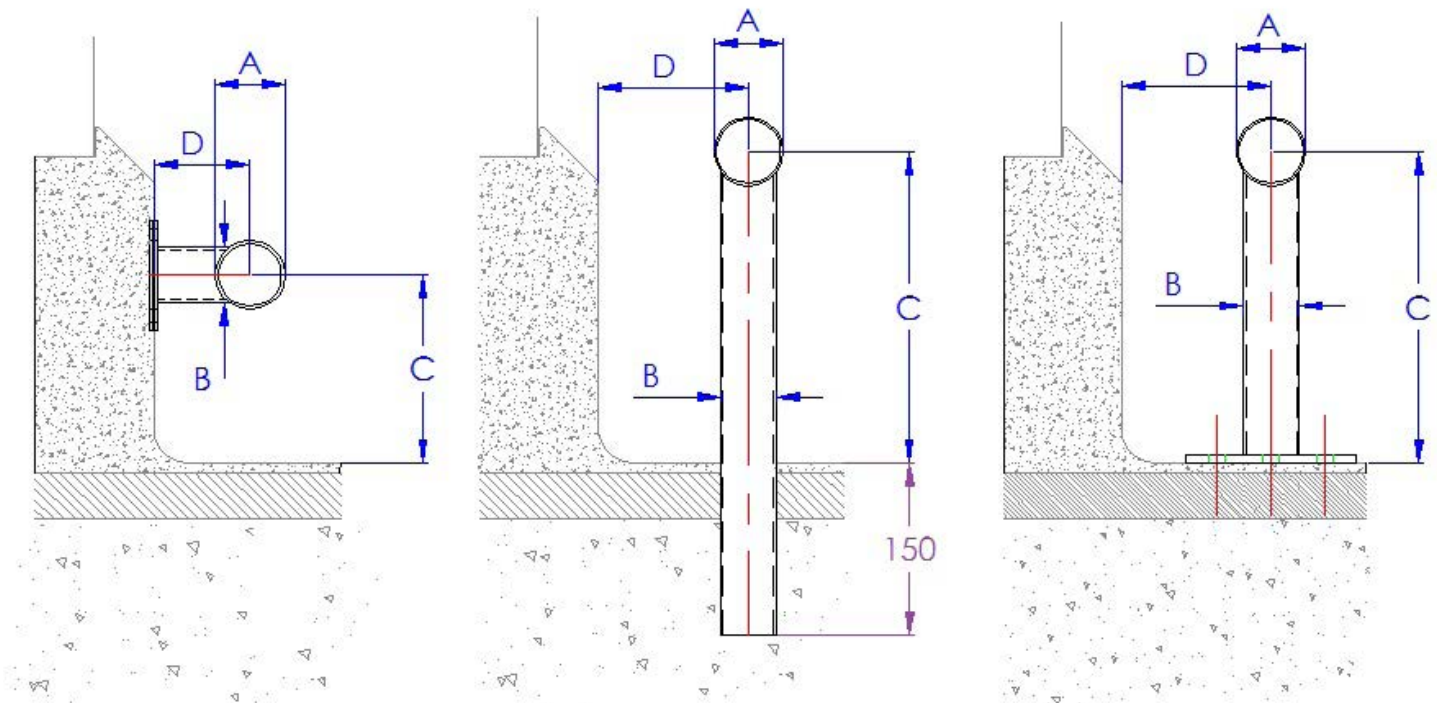
Please fill out the following table and return to the ASPEN Technical Sales team; [aspensales@john-lord.co.uk](mailto:aspensales@john-lord.co.uk)

MODEL	REF	STAINLESS STEEL		DIMENSION A			DIMENSION C	DIMENSION D	QUANTITY
		304	316	48ø	60ø	73ø			
KERB	BUMPR1								
CORE	BUMPR2								
PLATE	BUMPR3								

KERB MOUNTED

CORE DRILLED

PLATE FIXED



### ASPEN Protection Installation

ASPEN Stainless offer supply only or full installation, with fully welded and polished joints, and commissioning. ASPEN Stainless also offer on-going annual inspection and maintenance contracts.

For advice regarding the most suitable ASPEN Stainless for you please contact our technical sales team today to discuss your requirements.