

# ASPEN Gully Drain Cover | Locking

Load Class up to FACTA C250



ASPEN Stainless hardworking stainless steel products for hard wearing environments: British engineered with a lifetime guarantee.

## Product Description

The Locking Gully Drain Cover is designed for both the Summit and Tiehack Gullies.

The cover has either a side locking or central locking mechanism.

The cover can fit both round and square top Gullies.

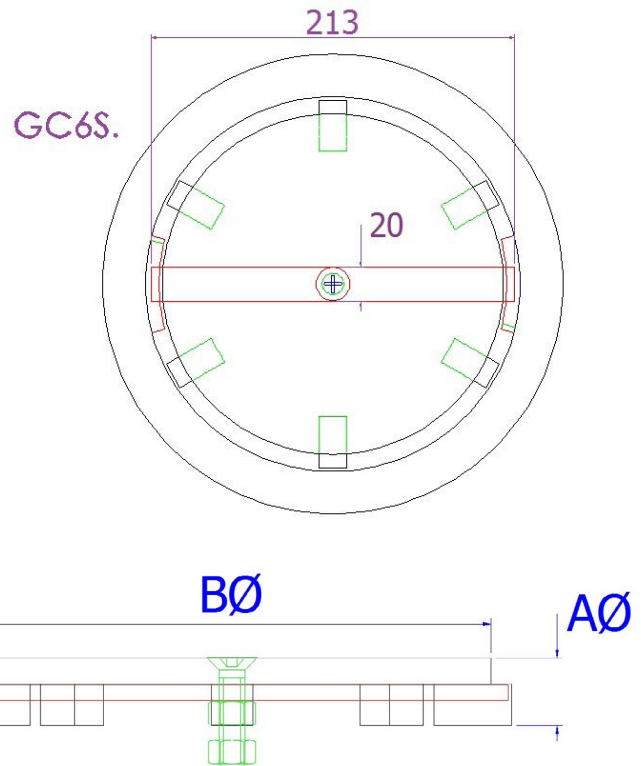
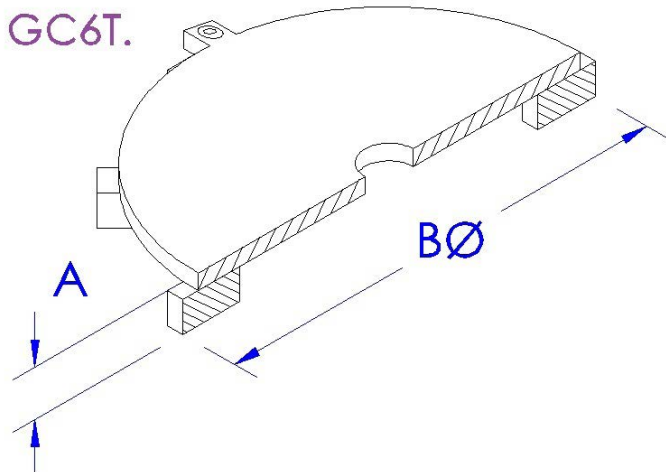
Suitable for hygienic environments accessed by medium load factory traffic.

There are 6 other Gully Drain Cover options available in the Aspen Stainless range.

## Technical Specification

- > 15mm x 15mm stainless steel support bars.
- > 10mm stainless steel plate.
- > Summit Locking bar: 6mm stainless steel.
- > Stitch welded.
- > Grade 304 stainless steel (British Standard 304S31, Euronorm 1.4301).
- > Low Slip Potential according to UKSRG in dry & wet conditions.

| MODEL           | REF  | COVER DIMENSIONS |     |    | FACTA LOAD CLASS |
|-----------------|------|------------------|-----|----|------------------|
|                 |      | A                | B   | C  |                  |
| LOCKING TIEHACK | GC6T | 25               | 280 | NA |                  |
| LOCKING SUMMIT  | GC6S | 25               | 200 | NA |                  |



All dimensions in mm.

# ASPEN Gully Drain Cover | Locking

## Load Class up to FACTA C250



ASPEN Stainless hardworking stainless steel products for hard wearing environments: British engineered with a lifetime guarantee.

### ASPEN Drainage System

As a UK based designer and manufacturer, ASPEN Stainless is able to offer a full range of products to complete your drainage system including entirely bespoke drainage systems.

#### Maintenance

Stainless steel equipment should be occasionally thoroughly checked for retained deposits and concentrated fluid build up that causes corrosion.

#### Cleaning

Many factors affect the choice of cleaning method and frequency of its application. Suitable methods for stainless steel are: water and steam; mechanical non abrasive scrubbing; organic solvents and mild detergents.

### ASPEN Drainage Installation

ASPEN Stainless offer supply only or full installation, with fully welded and polished joints, and commissioning. ASPEN Stainless also offer on-going annual inspection and maintenance contracts.

For advice regarding the most suitable ASPEN Stainless products for you, please contact our technical sales team today to discuss your requirements.

### ASPEN Slip Resistance

Classification of slip potential surfaces in wet and dry conditions are according to 'The Assessment of Floor Slip Resistance: The UK Slip Resistance Group (UKSRG) Guidelines issues 4 / 2011'. Results are obtained from tests carried out by our trained laboratory technicians in the internal laboraboraty. All figures are measured and expressed under laboratory conditions: Actual performance may vary from the above values depending upon site conditions. Contact the Technical Sales team for the actual slip resistant values or more information about the UKSRG.



Locking Gully Drain Cover for Summit Drain Gully

### ASPEN Drainage Options

> Available in grade 316 stainless steel (British Standard 316S31, Euronorm 1.4401).