

# ASPEN Angled Locking Rodding Eye

Load Class up to FACTA B125



ASPEN Stainless hardworking stainless steel products for hard wearing environments: British engineered with a lifetime guarantee.

## Product Description

The standard Locking Rodding Eye Angled is used at the termination of an underground drain run to allow access for rodding, which is bead blasted. The Rodding Eye has a tray to infill with a suitable matching floor finish.

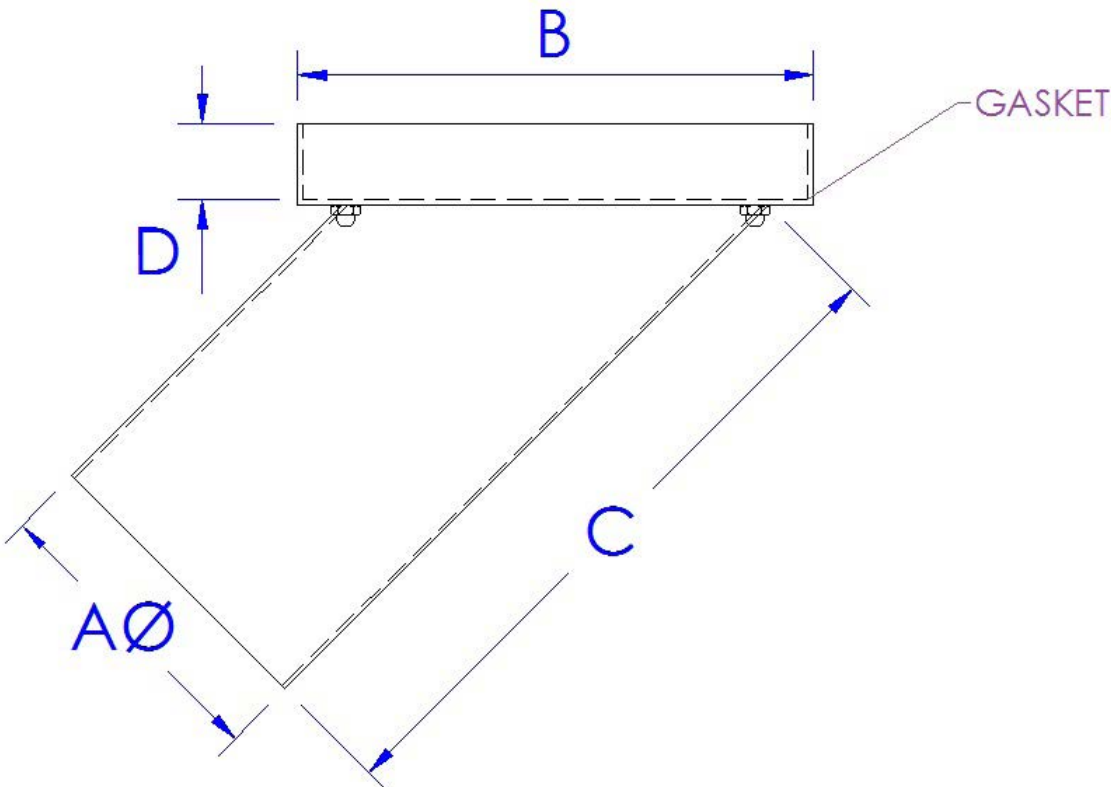
Suitable for hygienic environments accessed by light factory traffic.

The Rodding Eye Angled is available in 2 standard sizes.

## Technical Specification

- > Stainless steel pipe 110/160ø.
- > 3mm stainless steel plate.
- > CSK Fixing bolts.
- > Rubber gasket seal.
- > Grade 304 stainless steel (British Standard 304S31, Euronorm 1.4301).

MODEL	REF	RODDING DIMENSIONS				FACTA LOAD CLASS
		A	B	C	D	
110 ANGLED	REA110	100	224	300	32 INSIDE	
160 ANGLED	REA160	160	270	358	32 INSIDE	



The blue measurements indicate the variable dimensions shown in the chart above. All dimensions in mm.

# ASPEN Angled Locking Rodding Eye

## Load Class up to FACTA B125



ASPEN Stainless hardworking stainless steel products for hard wearing environments: British engineered with a lifetime guarantee.

### ASPEN Drainage System

As a UK based designer and manufacturer, ASPEN Stainless is able to offer a full range of products to complete your drainage system including entirely bespoke drainage systems.

#### Key Benefits

The stainless steel provides a hygienic finish within the factory environment to match surrounding equipment and with a tray to fill with a matching floor finish.

#### Maintenance

Stainless steel equipment should be occasionally thoroughly checked for retained deposits and concentrated fluid build up that causes corrosion.

#### Cleaning

Many factors affect the choice of cleaning method and frequency of its application. Suitable methods for stainless steel are: water and steam; mechanical non abrasive scrubbing; organic solvents and mild detergents.



Angled Locking Rodding Eye Samples

### ASPEN Drainage Installation

ASPEN Stainless offer supply only or full installation, with fully welded and polished joints, and commissioning. ASPEN Stainless also offer on-going annual inspection and maintenance contracts.

For advice regarding the most suitable ASPEN Stainless products for you, please contact our technical sales team today to discuss your requirements.

### ASPEN Drainage Options

> Available in grade 316 stainless steel (British Standard 316S31, Euronorm 1.4401).