

# ASPEN Meribel Central Side Outlet

Load Class up to FACTA D400



ASPEN Stainless hardworking stainless steel products for hardwearing environments: British engineered with a lifetime guarantee.

## Product Description

The standard Outlet Meribel Central Side is based on the Vail Gully and provides low invert levels for connecting to underground drainage and can be positioned along the channel length. Complete with rodding access and a removable trash basket.

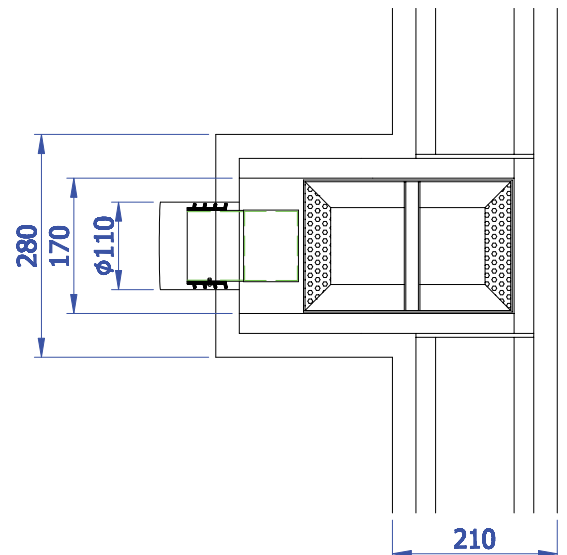
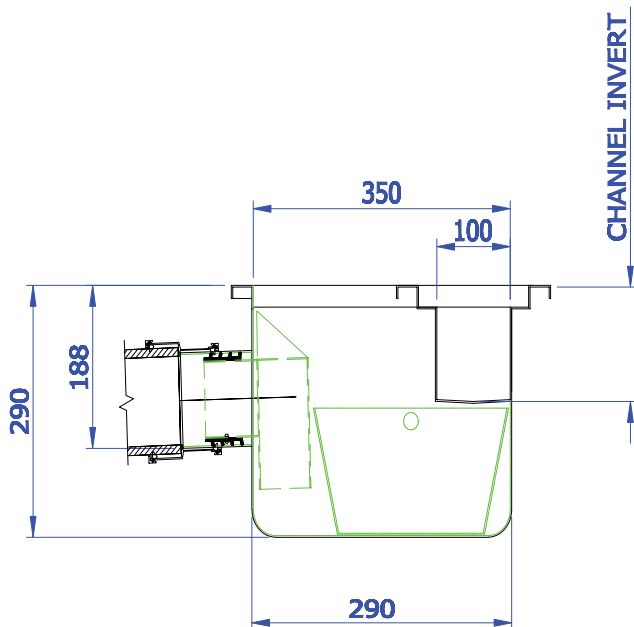
Suitable for hygienic environments accessed by all types of factory traffic.

The standard Outlet is available in four sizes to accommodate different flow rates.

## Technical Specification

- > 1 x stainless steel removable trash basket.
- > 50mm water trap.
- > Grade 304 stainless steel (British Standard 304S31, Euronorm 1.4301).

MODEL	REF	OUTLET DIMENSIONS			FLOW RATES	FACTA LOAD CLASS
		A	B	C		
100 CHANNEL 110Ø OUTLET	ODEL100110	100	110	184 INSIDE	3 Ltr/Sec	
100 CHANNEL 160Ø OUTLET	ODEL100160	100	160	184 INSIDE	6.0 Ltr/Sec	
170 CHANNEL 110Ø OUTLET	ODEL170110	170	110	184 INSIDE	3 Ltr/Sec	
170 CHANNEL 160Ø OUTLET	ODEL170160	170	160	184 INSIDE	6.0 Ltr/Sec	



The blue measurements indicate the variable dimensions shown in the chart above. All dimensions in mm.

# ASPEN Meribel Central Side Outlet

Load Class up to FACTA D400



ASPEN Stainless hardworking stainless steel products for hardwearing environments: British engineered with a lifetime guarantee.

## ASPEN Drainage System

As a UK based designer and manufacturer, ASPEN Stainless is able to offer a full range of products to complete your drainage system including entirely bespoke drainage systems.

### Key Benefits

The Meribel Outlet starts with a high invert level and has easy access for rodding and cleaning.

### Maintenance

Stainless steel equipment should be occasionally thoroughly checked for retained deposits and concentrated fluid build up that causes corrosion.

### Cleaning

Many factors affect the choice of cleaning method and frequency of its application. Suitable methods for stainless steel are: water and steam; mechanical non abrasive scrubbing; organic solvents and mild detergents.



## ASPEN Drainage Installation

ASPEN Stainless offer supply only or full installation, with fully welded and polished joints, and commissioning. ASPEN Stainless also offer on-going annual inspection and maintenance contracts.

For advice regarding the most suitable ASPEN Stainless products for you, please contact our technical sales team today to discuss your requirements.

## ASPEN Drainage Options

- > Available in grade 316 stainless steel (British Standard 316S31, Euronorm 1.4401).
- > Variable filtration mesh hole size.
- > Outlet Cover will dictate the load class up to D400 FACTA Loading.