

ASPEN Round Top Side Outlet Summit Gully

Load Class up to FACTA C250



ASPEN Stainless hardworking stainless steel products for hard wearing environments: British engineered with a lifetime guarantee.

Product Description

The Standard Side Outlet Summit Gully is a general purpose Gully designed for use in most areas, which is bead blasted with easy access for Rodding.

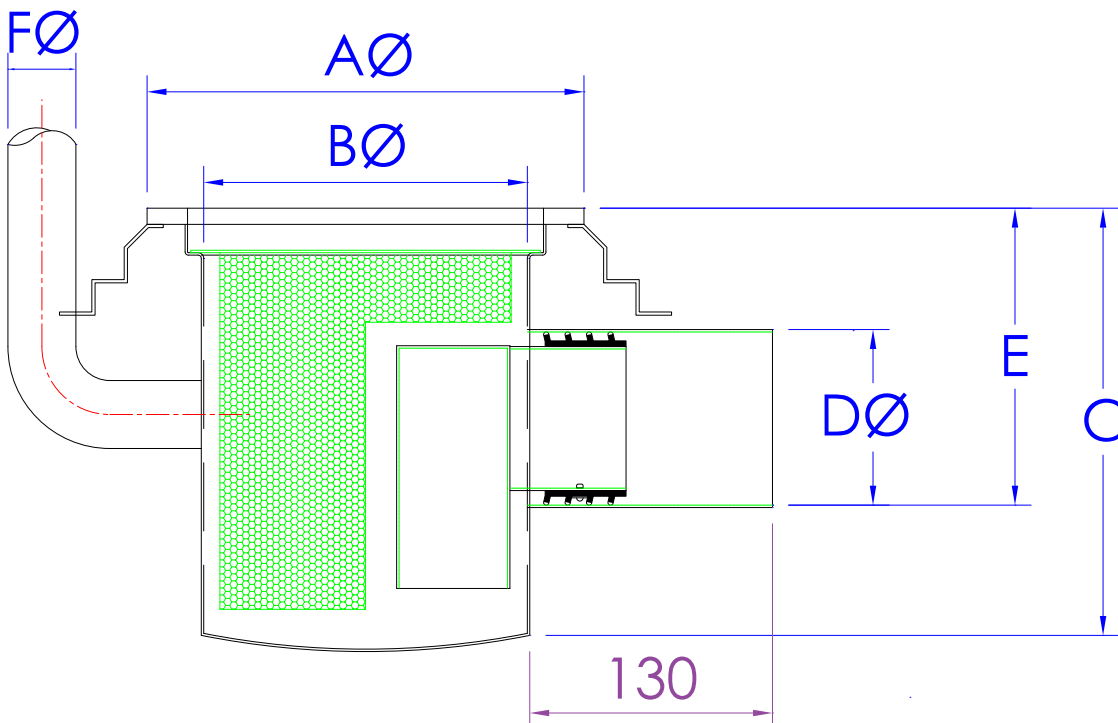
Suitable for hygienic environments accessed by medium load factory traffic.

The Side Outlet Summit Gully is available in two sizes to accommodate different flow rates.

Technical Specification

- > Stainless steel of various thicknesses.
- > 50mm water trap.
- > Round opening with smooth cover.
- > Grade 304 stainless steel (British Standard 304S31, Euronorm 1.4301).

MODEL	REF	GULLY DIMENSIONS						FLOW RATES	FACTA LOAD CLASS
		A	B	C	D	E	Fø		
SUMMIT 110	SGSOR110	270	200	280	110	185	NA	3.0 Ltr/Sec	
SUMMIT & CON 110	SGSOR110C	270	200	280	110	185	38/42	3.0 Ltr/Sec	
SUMMIT 160	SGSOR160	317	250	330	160	244	NA	6.0 - 7.0 Ltr/Sec	



The blue measurements indicate the variable dimensions shown in the chart above. All dimensions in mm.

ASPEN Round Top Side Outlet Summit Gully

Load Class up to FACTA C250



ASPEN Stainless hardworking stainless steel products for hard wearing environments: British engineered with a lifetime guarantee.

ASPEN Drainage System

As a UK based designer and manufacturer, ASPEN Stainless is able to offer a full range of products to complete your drainage system including entirely bespoke drainage systems.

Key Benefits

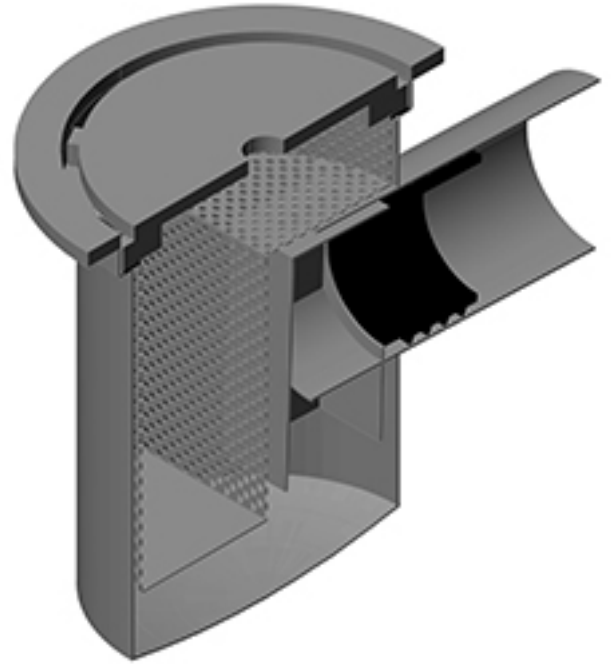
The Summit Gully is manufactured with a drainable 50mm water trap and removable trash basket.

Maintenance

Stainless steel equipment should be occasionally thoroughly checked for retained deposits and concentrated fluid build up that causes corrosion.

Cleaning

Many factors affect the choice of cleaning method and frequency of its application. Suitable methods for stainless steel are: water and steam; mechanical non abrasive scrubbing; organic solvents and mild detergents.



Round Top Side Outlet Summit Gully Sample

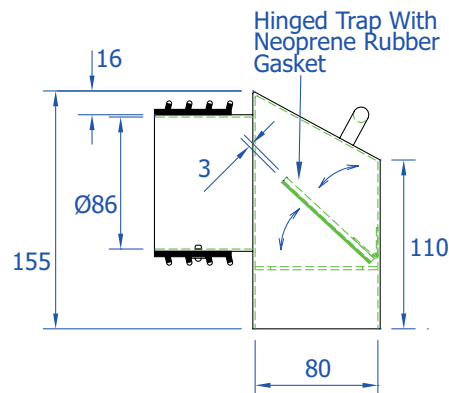
ASPEN Drainage Installation

ASPEN Stainless offer supply only or full installation, with fully welded and polished joints, and commissioning. ASPEN Stainless also offer on-going annual inspection and maintenance contracts.

For advice regarding the most suitable ASPEN Stainless products for you, please contact our technical sales team today to discuss your requirements.

ASPEN Drainage Options

- > Available in grade 316 stainless steel (British Standard 316S31, Euronorm 1.4401).
- > A range of Gully Covers (see TD35).
- > Locking Gully Cover.
- > Gully Membrane Flange Disc (see TD66).
- > Gully Cover lifting tools.
- > Variable filtration mesh hole size.
- > Back inlet pipe available in three different sizes.
- > Anti Backflow Mushroom Gully Trap (see below).



Anti Backflow Mushroom Gully Trap Drawing.